

KINGDOM QUEST: Seeking the greatest treasure.



DAY 1

Worth More Than Anything

Read Psalm 73:25 NIV

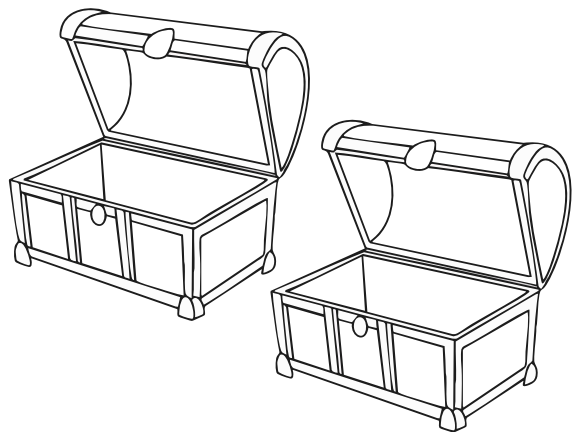
Think about something you really love; maybe a favorite toy, game, or special place. Those things are fun, but they don't last forever. The Bible tells us that God is better than anything we could ever have.

Psalm 73:25 reminds us that God is our greatest treasure. He is always with us, always listening, and always loving us. When we're happy, God is there. When we're sad or scared, God is there too.

Nothing and no one in the world can love us like God does. When we choose God first, our hearts can feel full, safe, and thankful.

~~~~~  
**On-page Activity:**

Inside the bottom treasure chest, draw things you really love. Inside the top treasure chest, write "GOD."



## DAY 2

### First Things First

*Read Matthew 6:33 NIV*

When you get home from school, which would you decide to do first: play, do homework, or eat snacks? Jesus tells us something very important: God should come first. When we seek God's kingdom, it means we choose God's way. We try to be kind, honest, loving, and helpful. We think about what would make God happy before we think about ourselves. We spend time with God by praying, reading the Bible, and worshipping Him. Jesus promises that God knows what we need. We don't have to worry because God is always with us and is always watching over us.

~~~~~  
Think About It:

What are some ways you can put God first today?





DAY 3

Be an Example

Read 1 Timothy 4:12 NIV

Pretend you're a fitness coach leading a class. Teach your class by being an example and showing your pretend class how to do the exercises. Have an upbeat attitude, and encourage others to do their best. Have fun and get others involved. Use this fun activity to practice speaking, living, and loving others so they can see God's love. The way we live can show others the kingdom of God.



DAY 4

The Greatest Treasure

Read Mark 12:30 NIV

People like to collect special things: coins, cards, toys, or prizes. We take care of treasures because they matter to us. The Bible tells us that God is the greatest treasure of all.

Mark 12:30 teaches us to love God with everything we have: our hearts, our minds, and our strength. That means loving God more than anything else and choosing His way every day.

God's kingdom is full of love, kindness, forgiveness, and joy. When we love God and live His way, we are showing others what His kingdom looks like. Nothing in the world is better or more important than knowing God and being part of His kingdom.

~~~~~  
**Prayer:**

"Dear God, thank You for loving me and being my greatest treasure. Help me love You with all my heart and always put You first! In Jesus' name. Amen."



Loving God and His kingdom is most important.